

WANSARC NEWS



Incorporated in Victoria, 1985 Registration Number: A0007611S

The monthly magazine of the

Western & Northern Suburbs Amateur Radio Club

Melbourne Australia

VK3AWS

Volume No: 36 Issue 1 January 2005

DELIVER TO:

If not delivered within 7 days, please return to: WANSARC P.O. Box 336 Reservoir 3073

NEXT MEETING Friday February 4th 2005 Commencing 19.30 hours

First meet for the New Year, catch up on what you got up to over the New Year period,
Bring a new member! But remember before that meeting there is the

WANSARC Family Fun Day at Bundoora Park on Mount Cooper held at the same spot
as last year on

Sunday 23rd January 2005, commencing from the early hours until late afternoon.

This month we feature information on Echolink as used on our weekly Net Broadcast at
7.30 pm local every Tuesday evening, plus in this issue...

WANSARC Family Fun Day at Bundoora Park 23 rd January 2005	2
Around the shack	3
New editor for WANSARC magazine	6
Presidents Message	7
WANSARC Club Net – The Echolink Connection...	6
Work the world with EchoLink	8
Laughter is a Medicine	12
The Darwin Awards	13
WANSARC Club Profile	14

WANSARC Family Fun Day at Bundoora Park Sunday 23rd January 2005 up on Mount Cooper

It's on again this year!

Remember **WANSARC has NO club meeting in January**, but this is one fine substitute!

The very popular **WANSARC Family Fun Day / BBQ / Radio Fair**, call it what you like, will happen again at the same venue as last year.

The club station of **VK3AWS** will once again be active for the whole day, so if you forget or confuse your bearings, have a 2 meter rig or hand held in the car and call in on **146.450 MHz**

You can find Bundoora Park in the Melway ® Ref: **Map 19, F4**

As you enter the park from Plenty Road, turn right into River Red Gum Avenue and follow it all the way until you come to the last rotunda on your left, just look for the wire antennas and other club members, if you have 146.450 MHz going we can even "call out" to you as we see you approaching, for the rest that remember – it's the same place as last year, which puts it at about Map square 19 F 1.

Last year gear was being setup from nearly the dawn light.

Let Grant HFS, Mark PI or any of the committee members, listed on last page, of anything you can bring or will be providing on the day.

Advice on numbers attending will also help in the planning and catering for the day.

Some of the attractions last year and also for this year include;

- Radio demonstrations for HF, VHF, UHF, Scanners...
- Club provided Food & Soft Drinks
- Your kids can annoy other kids instead of you
- Fox Hunting
- Catch up with old friends – Make new ones – Put a face to the "voice on the air"
- Marvel at the radio setup and antenna work of some of our members vehicles
- Enjoy a lazy relaxed day in the sunshine with some yummy eats...
- Catch up on the gossip – radio and otherwise...
- Work some DX or see other modes you may not play with much
- Hear the latest news about BPL, WIA & Ham Radio in general

This is the perfect time to bring along a prospective new member, your spouse, kids, in-laws, neighbors, etc – just to show them Amateur radio isn't just radios and aerials!!

Around the Shack

Pass the Net Controller...

It's that time of year again with many things on, well in this household anyway! It seems our local school has a favorite schedule of Tuesday evenings, right when the WANSARC Net is on, to run events from music, art, meetings, report nights, etc, so my ability to run the net has been hampered a bit of late. Thanks to those whom at short (or even no) notice have picked up the baton (or is that microphone) and kept the show on the road. Thanks to Grant HFS, Bob EL, Mark PI and others. Some nets were even just a round table discussion so I have been told, thanks also for the emailing of logs to me for inclusion into the master log register. Hopefully things will calm down once school ends – apart from the noise!

CQ Santa...

Just got a hold of the December issue of AR and note that there are some nice prices going about for radio gear, various Christmas specials – so you might have to work some DX to the north pole and ask Santa to leave you some for the 25th. I would, but there is no space left – under, beside or on top of the table!

End of 2004 Dinner at Tina's Pizza

Like last year many hungry members arrived at Tina's Pizza for the end of year dinner, with dinners forming an extended table complete with 2 meter radio talk in at the ready, well until the batteries went flat! Not that it mattered, those in the know arrived to chat and talk along with some drinks and pizza. I would like to tell you more about it but certain alluring liquid substances have erased many of my thoughts...

WIA broadcast continue during the Christmas and New Year Holiday Period

The National WIA news will continue to be produced for transmission on the weeks commencing Sunday, December 26 and January 2. The transmission details over this period will be left up to the individual re broadcasters to arrange. If your local broadcaster is not transmitting the news over this period, then take a listen via the MP3 link on the broadcast WebPages or listen on one of the many available HF frequencies.

While your munching on your chocolate...

People with asthma are often allergic to cockroaches. Keep your house as clean as possible to discourage cockroaches from hanging around. Also, did you know that the FDA allows manufacturers a certain percentage by weight of cockroach parts in chocolate? It is apparently very difficult to keep these insects out of the chocolate vats (can you blame them?), so the best way to avoid cockroaches is to avoid chocolate. Strange, but true!

NERG Repeater VK3RMH installs new antenna

Last month the NERGs erected a "new" antenna consisting of 4 bays of dual dipoles fed as two separate banks. The repeater was previously only using the antenna on the lower section but an antenna combiner was added a few weeks ago. The gain is not much higher but the antennas are, so improvement in weak signal areas will be noted, considering the previous antennas were waterlogged! Pictures and an article appear in the December NERG news.

Healesville Amateur Radio Group Inc - Hamfest Sunday 27th February

It's on again this year, an excuse to visit some of the attractions up there as well as attend the Hamfest. From 10am to 2pm at the Healesville Memorial Hall on the Maroondah Highway, Healesville
Free tea and coffee, Light refreshments available, Hire of trestle tables at \$12 per 6ft / \$15 per 8ft
Ample parking, \$5 entry Open to Traders at 830am Call in on VK3RYV — 146.725

New repeater trial VK3RBN 438.350 MHz

Roly McMillan VK3KXW in the Bass IRLP group advises a new repeater will be tested out from Arthur's Seat in the very near future. Permission was granted from the ACA for a 2-hour period and during the test VK3RIR will be off the air for 2 hours. VK3RBN 438.350MHz will be the callsign during testing period. The repeater will then be handed over to the owner Tony VK3UBO who will try and have the unit up and running in time for Christmas in the Ballarat area.

New 149 MHz paging system rollout

A new alpha-numeric paging transmitter network, being sponsored by the state government is being rolled out in 190 locations across Victoria, including 18 that are co-located with amateur two meter repeaters and is currently undergoing testing. This is bound to cause country amateurs some grief on 2 meters, my father living in Horsham says that the previously interference free band now has some new noises on it. The transmitters operate around 149 MHz at 100 Watts and are part of a \$120 million contract for the Victorian Government's state wide Emergency Alerting System (EAS). The CFA, SES and rural ambulance will use the system. RF Innovations Pty Ltd, a West Australian company, is supplying \$5million of digitally modulated paging transmitters. The system is designed to provide reliable coverage in areas that may not be serviced by mobile phones, especially during times of emergency.

Victorian Technical Advisory Committee - Meeting of Repeater Owners

The WIA VK3 Advisory Committee has held a very productive VTAC meeting of repeater owners and custodians that includes some important decision making. The meeting began with VTAC Chairman, Peter Mill VK3APO outlining the WIA restructure as it applies to Victoria and reassurance that the intention is to continue providing support for repeaters, for the benefit of the amateur fraternity.

The 28 who attended came from Ballarat, Bendigo, East Gippsland, Geelong, Horsham and Mildura as well as metropolitan Melbourne. They represented a range of interests - voice repeaters, IRLP, WICEN, Automatic Position Reporting System, Broadcasts, Beacons and Amateur Television.

A key decision taken was to adopt, in Victoria, the CTCSS sub-audible tone of 91.5 Hz to replace the problematic 123 Hz. Incidence of what is known as 'phantom 123' is making that tone unreliable. VK4 has already adopted 91.5 Hz for the same reason. In Victoria it was decided under "Note 6, Repeater Linking" that 91.5 Hz will replace 123 Hz for use by repeaters fitted with CTCSS for interference protection. The transition to 91.5 Hz will occur in Victoria over the next two years; it has already been adopted in VK4 and is being considered as a new national CTCSS tone under the WIA Band Plan. There will be no change however to the 141.1 Hz tone that enables linked repeater users to activate frequencies in accordance with the conditions of their grade of license.

On 70cm, it was decided, due to continuing interference from LIPDs, that a number of severely affected repeaters within the Melbourne metropolitan area may conduct experiments using dual receivers. One receiver will have the standard 5 MHz off-set with 91.5 Hz CTCSS protection and the other using 5.4 MHz alternative split with carrier squelch, as outlined in the current WIA Australian Band Plan.

A new 149 MHz Victoria-wide government sponsored alpha-numerical paging system for the Country Fire Authority, State Emergency Service and Rural Ambulance is now being tested and is expected to be fully operational by August 2005. It will have high-powered transmitters at 190 sites, including 18 that are co-located with amateur two-meter repeaters. VTAC has been consulted in advance of the roll-out of this new paging system. Interference to amateur repeaters will be minimized through a consultative process that has been initiated by the ACA in conjunction with the WIA.

Among other topics discussed were proposed repeater linking, an expansion of transmission outlets for the WIA National and Vic-Link broadcasts, and occupational health and safety requirements of repeater sites.

VTAC meeting 13 November 2004 taken from www.waivic.org.au/vac/

Summer Radio Contests 2004 -2005 Ross Hull memorial VHF - UHF Contest

2004 -2005 Ross Hull memorial VHF - UHF Contest - December 26 2004 to January 16 2005

Eastern Summer Time, 11 a.m. on December 26 to 11 a.m. on January 17.

- Section A: VHF - UHF (50 MHz through to 1296 MHz);
- Section B: Microwaves (1296 MHz and above);
- Section C: Digital Modes, all bands.

General Rules

One callsign and one operator per station. One contact per station per band per UTC day.

Repeater, satellite and cross band contacts are not permitted. No contest activity is permitted below 50.150 MHz. In Sections A and B, entrants making contact on recognized DX calling frequencies should not occupy these frequencies for prolonged periods. All rulings of the contest manager will be accepted as final.

Valid Contacts for Sections A and B, entrants must exchange RS (or RST) reports plus a serial number.

Serial numbers need not be consecutive. For difficult propagation modes such as meteor scatter, exchange of callsigns plus two further digits is sufficient. For Section C, exchange of callsigns plus two further digits.

For full details see Amateur Radio magazine December 2004, page 42 or http://www.wia.org.au/contests/ross_hull/index.php

Summer Radio Contests - **SUMMER VHF-UHF FIELD DAY 2005**

SUMMER VHF-UHF FIELD DAY 2005

Dates

Saturday and Sunday January 15 and 16, 2005.

Duration in all call areas other than VK6: 0100 UTC Saturday to 0100 UTC Sunday.

Duration in VK6 only: 0400 UTC Saturday to 0400 UTC Sunday.

Sections

A: Portable station, single operator, 24 hours.

B: Portable station, single operator, 6 hours.

C: Portable station, multiple operators, 24 hours.

D: Portable station, multiple operators, 6 hours.

E: Home station, 24 hours.

Single operator stations may enter both Section A and Section B. If the winner of Section A has also entered Section B, his log will be excluded from Section B. The same applies to the winner of Section C if the station has also entered Section D.

General Rules

A station is portable only if all of its equipment is transported to a place which is not the normal location of any amateur station. Operation may be from any location, or from more than one location. You may work stations within your own locator square. Repeater, satellite and cross band contacts are not permitted.

One callsign per station. If two operators set up a joint station with shared equipment, they may choose to enter Section A or B as separate stations under their own callsigns, or Section C or D under a single callsign. If they enter Section A or B, they may not claim contacts with each other. Stations with more than two operators must enter Section C or D. Operators of stations in Section C or D may not make any contest exchanges using callsigns other than the club or group callsign. No contest operation is allowed below 50.150 MHz. Recognized DX calling frequencies must not be used for any contest activity. Suggested procedure is to call on .150 on each band, and QSY up if necessary.

Contest Exchange

RS (or RST) reports, a serial number, and your four digit Maidenhead locator.

Repeat Contacts

Stations may be worked again on each band after three hours. If the station is moved to a new location in a different locator square, repeat contacts may be made immediately. If the station moves back into the previous locator square, the three hour limit still applies to stations worked from that square.

For full details see Amateur Radio magazine December 2004, page 43 or http://www.wia.org.au/contests/vu_fieldday/index.php

WANSARC Magazine Deadlines for 2005

Tentative dates for copy deadlines for sending articles for inclusion in that month of the magazine with my projected publication dates; email sent that day and posted issues arranged afterwards.
Subject to changes possibly – but I'll try hard to stick to them!

Issue	Copy Deadline	Publish Date	WANSARC Club Meet
March	28 th February	1 st March	4 th March
April	28 th March	1 st April	4 th April
May	30 th April	3 rd May	6 th May
June	28 th May	31 st May	3 rd June
July	26 th June	28 th June	1 st July
August	31 st July	2 nd August	5 th August
September	28 th August	30 th August	2 nd September
October	1 st October	4 th October	7 th October
November	30 th October	1 st November	4 th November
December	27 th November	29 th November	2 nd December

New editor for WANSARC magazine

After many years of producing the club magazine, **Mark VK3PI** has decided to hand the task to another “willing” club member. I have no idea how long Mark has been editor of the magazine but as I was able to find issues as far back as June 2002, I assume it's been a while.
Last time I spoke to him he said he has done it on and off for nearly 20 years...

So from now on, your editor and producer is **Mick VK3CH**.

I hope I can keep you both entertained and informed as well as Mark has been able to, sounds like he has earned his rest.

Remember this is **your** forum for news both within the club and issues affecting amateur radio as a whole both here in Victoria and around the world as that it's often there where things are happening that can have a major influence on our hobby – B.P.L. is just one of many that come to mind.

So unless you just want to read about my thoughts and ramblings and believe me, *you don't want that!* – I strongly you send in articles or point me to web sites or news items you have heard about that you feel will be of interest to other members of the club.

It's like the WIA broadcast request; send the news in as you would expect to “hear” it and we will do the rest.

The number of pages will change depending on what I find of interest and contributions received, I will make sure the file size for the emailed copies stays under around 750 Kilobytes (0.75 Mb) or less.

So the pages might vary anywhere from 6 to 12 or so.

But for a first “holiday” issue I have managed 14 pages.

You would be amazed at the amount of time you can spend doing this – searching the internet – looking at other magazines, listening on the airwaves, etc.

Any comments and news articles and even the layout or content of the magazine can be sent to me by either chatting to me on the air, at a club meeting, during the weekly net or afterwards if you have a lot to say, or

Mobile 0425 798 552
By fax 03 9489 9961
Email yk3ch@alphalink.com.au

I look forward to hearing from you and hope you all continue to enjoy your monthly read...

73s from Mick

Presidents Message - Grant VK3HFS

Welcome to 2005 I hope you have a safe and happy Christmas and New Years Break.

As we enter 2005 we start to think about the year ahead and what we each want to achieve personally and through amateur radio. I began the personal planning process way before the end of 2004 so I can map the year ahead, make decisions and investigate options.

With this now done I regret to advise all club members that I intend to stand down as club president at the Annual General Meeting and not seek reelection.

I have elected to undertake tertiary studies this year to assist with career progression, which will mean less time for amateur radio.

I have also accepted a short-term volunteer position to assist with emergency medical communications at the Commonwealth Games in 2006 which I expect throughout the year will take a deal of time after the studies.

I will remain a member of the club but will not be in front of the microphone much.

May I thank those who have supported the club and myself during the time I was president and hope that whoever takes the challenge retains the support I have had.

Kind Regards, Grant VK3HFS

After a good used PC? Chris, VK3FY has via his work units available for sale – The Deal; Pentium II 400 MHz with at least 64 Meg RAM, Keyboard, Mouse, at least 3.5 GB HDD, some with LAN cards with a 15” VDU, power cables ready to go –

Install your operating system of your choice – at the moment Chris has about 16 units left with monitors and over 50 without monitors, but everything else listed. **Prices – with VDU \$110 and without VDU \$85**

With **\$10 from each sale** going to the club fund, so you support **WANSARC** as well as get a good PC, good use as a 2nd or 3rd unit, kids PC, a node, the list goes on, I can assure they work as I have one I bought from

Chris going here as I type this...

Contact the club or Mick at vk3ch@alphalink.com.au and I will pass your “order” on to him.



Don't forget to listen out on the WANSARC club frequency of **146.450 MHz** and also on **28.470 MHz USB** The weekly Tuesday night Radio Net is on 2 meters at 7.30 pm local time, listen for the club call of

VK3AWS

WANSARC Club Net – The Echolink Connection...

Weekly Club Radio Net *Tuesday Evenings - 7:30pm to 8:30pm AEST*

The VK3AWS club net is an informal meeting place for club and non-club members to gather and "have a chat" on-the-air. The weekly radio net spans across the north-west belt of Metropolitan Melbourne and even as far as Gisborne. Stations from New Zealand also connect occasionally.

In the past year, the net has expanded from its simple origins on 146.450 MHz on the 2 meter amateur band. The net now broadcasts on the above frequency and is also relayed through the Echolink internet linking system to the following stations:

Therefore, any amateur station in those areas can access the club net on the above frequencies or through the Echolink internet linking system.

Area	Relay Station	Frequency
Gisborne	VK3NE-L	TBA
Macleod	VK3HFS-L	439.175/146.450 MHz
Niddrie	VK3RTL	438.600 MHz (-ve)
Hillside	VK3RFY	438.400/147.425 MHz

All relay stations are connected to the Echolink Conference Server *VK3JED*
Node Number #42820.

Control

Control of the net is handled by the operator of the VK3AWS call sign.

This is usually Michael Ampt, VK3CH or Grant Stowell, VK3HFS in his absence.

Net control originates on the club frequency 146.450 MHz.

All amateurs are logged and each are called "down the list" for their turn. Opportunities exist for new stations to log on during the net.

What else happens?

Whilst the above frequencies are used for the net, an informal gathering sometimes also takes place on 28.470 MHz (10 meter amateur band) during the net. This is not controlled by VK3AWS and is used for "chit-chat" and comments between overs on the net frequency.

What is Echolink?

EchoLink[®] software allows licensed Amateur Radio stations to communicate with one another over the Internet, using voice-over-IP (VoIP) technology. The program allows worldwide connections to be made between stations, or from computer to station, greatly enhancing Amateur Radio's communications capabilities. There are more than 112,000 registered users in 147 countries worldwide!

WANSARC and Echolink:

There are several club members operate Echolink stations. Some only come online for Tuesday evenings whilst others are online 24/7 or occasionally throughout the week.

The above article as it appears on the WANSARC club website at www.wansarc.org.au

Work the world with EchoLink

To the many WANSARC stations already operating Echolink, the following article will be information already known and in some cases already altered, such is the speed at which things are progressing with this mode. But for our other club members that do not run Echolink and hear these new tones and stations from all over the place, this might help in explaining what is happening on our previously "just simplex" Net frequency of 146.450 MHz

Developed in early 2002 by Jonathan Taylor, K1RFD, Echolink has spread rapidly among the ham community and is today used by over 130,000 radio amateurs in 150 countries. How can we explain such a success so rapidly? We have first to understand how work this application. Instead of using ionospheric layers to establish long-distance communications, K1RFD suggested to amateurs to use the VoIP (Voice over Internet Protocol), thus Internet in combination with RF linking and with V/UHF FM transceivers to work amateur stations. In this way he said, even users limited to V/UHF bands and having difficulties to work DX stations can use Internet to have conversations with amateurs located all over the world, at distances exceeding by far the performance of their FM transceiver. Indeed with time running it has appeared that this "web-assistance" has proven to be very useful and very well performing.

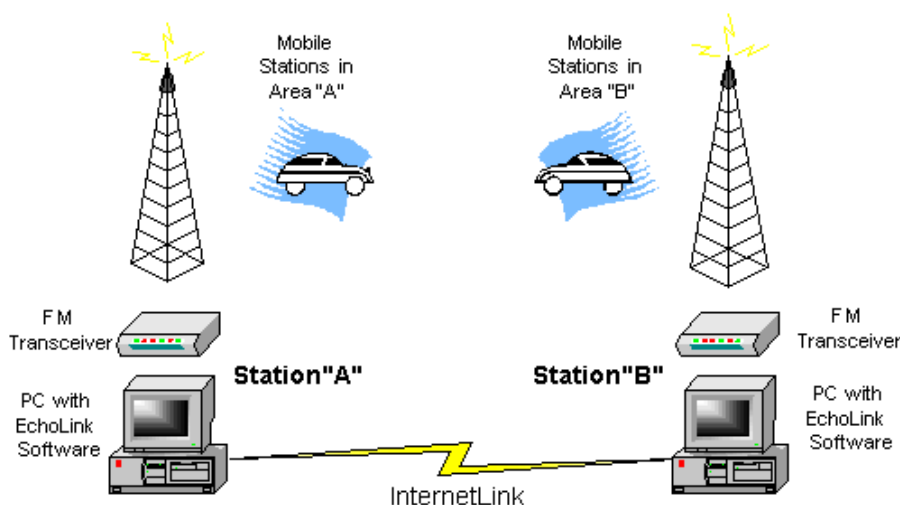
Access and setting up EchoLink uses two different systems;

- **Repeater linking** where repeaters are linked each another through VoIP. Each OM works with a fixed, portable or mobile VHF or UHF FM transceiver and emits to a FM repeater located a few dozen kilometers away. Of course if there is no repeater at about 30 km around your QTH you cannot use this linking with EchoLink and you will have to work simplex.

- **Simplex linking**. In this configuration there are two options. Either the ham uses a V/UHF handheld or mobile transceiver or he is directly connected to the Internet. In the first case the ham work remotely and emits to his base station. This last uses a VOX interface linked to a computer that process signals digitally before to send them over the Internet.

In the second case, the ham is directly connected to the Internet through his computer using a low speed modem (as low as 36K) or a DSL connection. So in simplex linking the connection can be done to other simplex nodes, to repeaters or even to hams directly connected to the Internet and using no ham equipment at all. Repeaters using simplex links with a radio receive a callsign with a -L suffix, repeaters running the software connected to a radio receive the -R suffix.

Linking Example



Who can use EchoLink?

All licensed hams - but only them - can use EchoLink, even if you are limited to VHF/UHF or novice. Don't worry if you do not have a good antenna or if you only own a low power VHF or UHF transceiver. Don't worry if you don't own any ham equipment at all due to space limitations or financial reasons. Even if you are temporary abroad but if you can find an Internet connection in a cyber café or to friends using a portable computer with a modem connection, you own all necessary equipment to work with EchoLink.

EchoLink is a freeware program running under Windows 98/2000/XP, Linux or MacOS that you can download from the Internet. This is a 1.5 MB file that you must install on your PC following the wizard instructions. The application is configured in a few seconds. The only two conditions are you must own a valid ham license (be listed in the call book or licensed this year) and provide a valid email to EchoLink support team. These two data will be used to valid your access on the system as without them the curious and hackers will be stopped from access without a valid password. Once you're validated a node number is assigned to your PC. The validation request can be done by fax or sending a copy of your ham certificate by email to the support team.

Once your callsign is validated you will receive a password to activate your connection to the EchoLink server. The validation delay can last between 1 hour and more than one day. In the worst case the validation is so long because the document you have sent is not proof that you are a licensed amateur. Once the application set up and your call validated, the program will fetch data and will display a kind of Explorer listing users and repeaters currently online.

Forgotten something?

To use EchoLink you need either a V/UHF RTX or a PC equipped with a sound card and Internet but also a microphone and two speakers or a headset to work simplex. If you have trouble setting your audio levels, EchoLink provides online support including an *ECHOTEST* conference server to test your audio. If you see users and your callsign in your national container but cannot establish any connection, verify if your modem/DSL is not faulty.

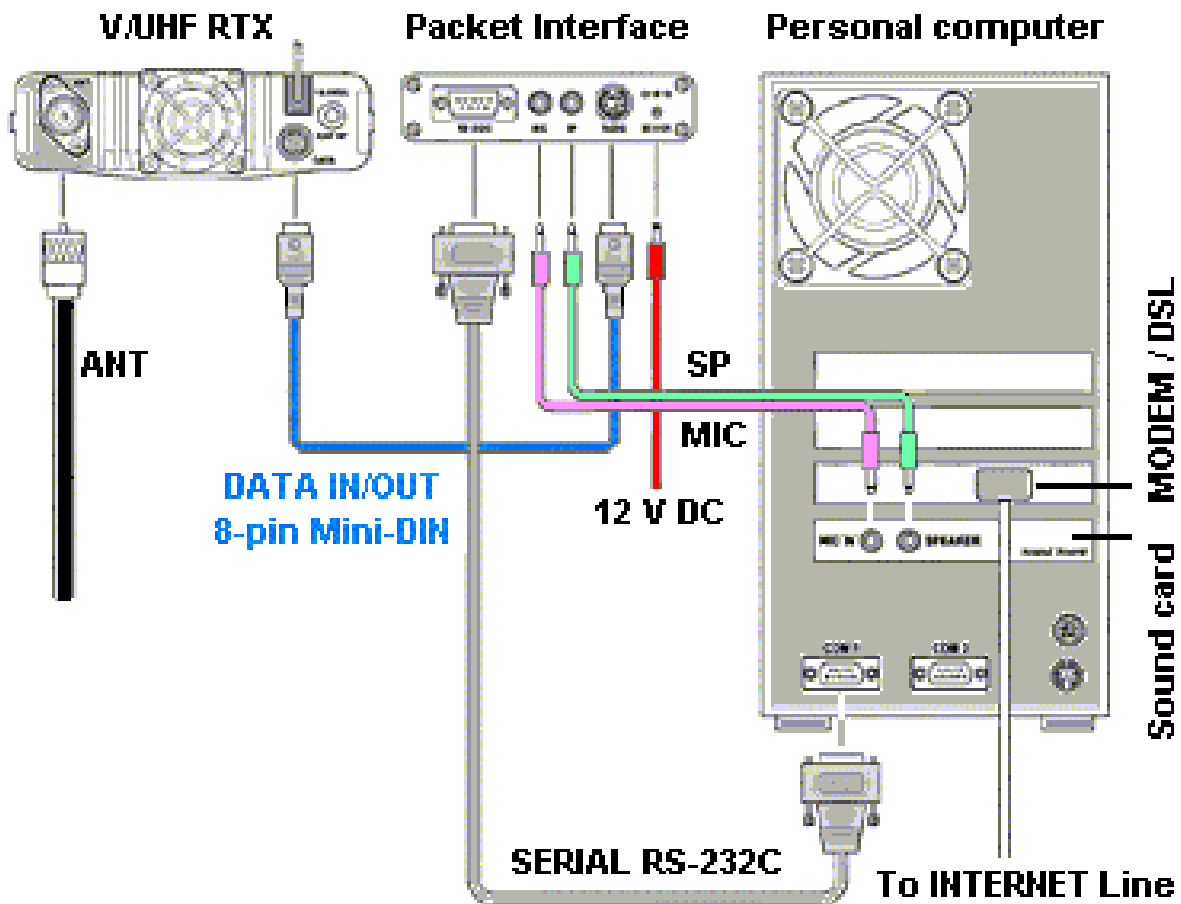
Check also your firewall settings reading the documentation provided on the EchoLink FAQ page. In last resort, reboot your system and run EchoLink alone without loading any other application (neither your email system nor Internet). Load your other applications once EchoLink is running. If your configuration works properly, now browsing containers and users you can contact everybody if you like, even hams located on the other side of the Earth with the click of the mouse.

Can I work with two callsigns or two PCs?

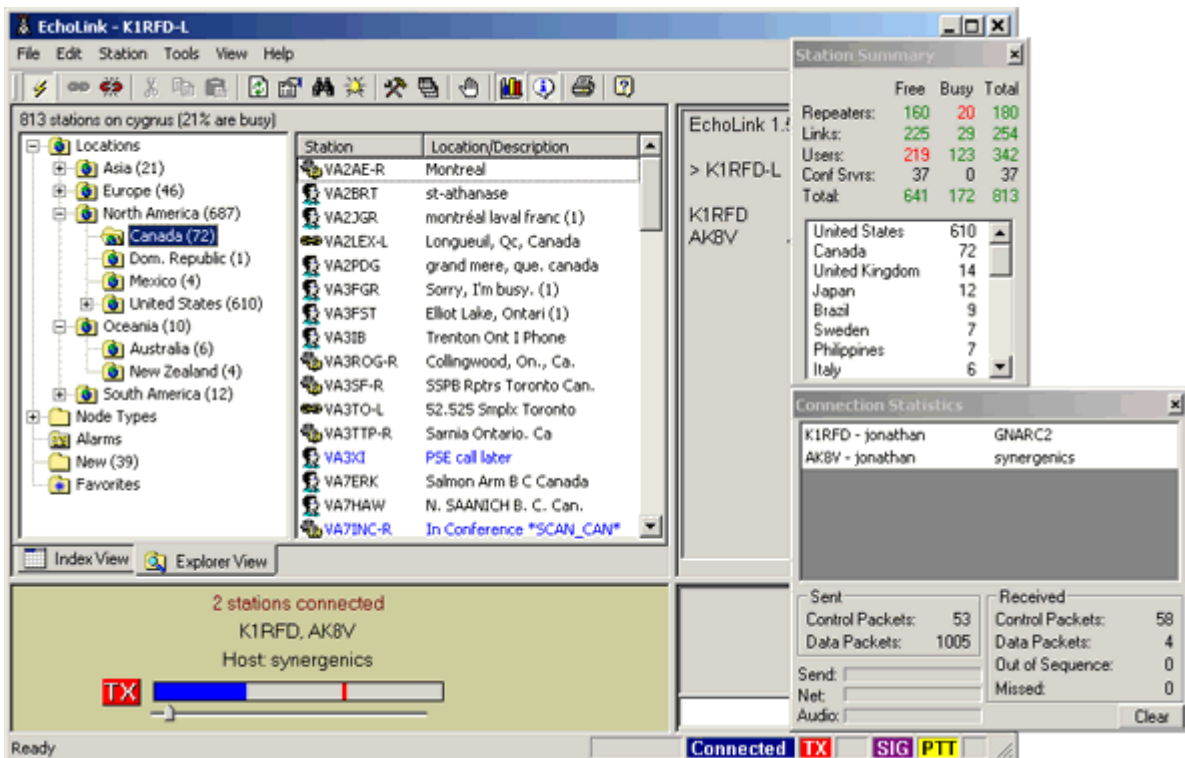
You can install and configure EchoLink on two different PCs with the same callsign, but be sure not to run them both at the same time. If the two PCs are configured with different callsigns, you can run EchoLink on them at the same time, but only if the two PCs use different "public" Internet addresses.

The two cannot be run simultaneously if they are sharing the same external address, as is commonly the case with a home network. You can run only one instance of EchoLink on a given PC. However, you can easily switch EchoLink between any of several callsigns that you hold, as long as each call has been validated. An easy way to do this is with the Profiles feature. Each callsign must have a different node number.

As far as EchoLink is concerned, VK3CH and VK3BBA or VK3BBA-L are different callsigns. When a callsign is validated, a node number is assigned to it. The node number does not change unless you request a change. One of the changes you can request is to "swap" the node number between two callsigns that you hold, for example, VK3CH and VK3BBA. Remember Echolink is free to download and run, apart from your internet use charges, so give it a go.



This is how EchoLink looks running on your PC.



You can find the EchoLink site at <http://www.echolink.org/>

Laughter is a Medicine

Did you know that: "The Morse Code" is an anagram of: "Here Come Dots"?

Instruction Madness

Actual label instructions in case you needed further proof that the human race is doomed through stupidity, here are some actual instructions on consumer products.

1. On a blanket from Taiwan - Not to be used as protection from tornado
2. On a helmet mounted mirror used by US cyclists - Remember, objects in the mirror are actually behind you.
3. On a Taiwanese shampoo - Use repeatedly for severe damage
4. On the bottle-top of a (UK) flavored milk drink - After opening, keep upright.
5. On a New Zealand insect spray - This product not tested on animals.
6. In a US guide to setting up a new computer - To avoid condensation forming, allow the boxes to warm to room temperature before opening. (sensible, but the instruction was INSIDE the box)
7. On a Japanese product used to relieve painful hemorrhoids - Lie down on bed and insert poscool slowly up to the projected portion like a sword-guard into anal duct. While inserting poscool for approximately 5 minutes, keep quiet.
8. In some countries, on the bottom of coke bottles - open other end.
9. On a sears hairdryer - Do not use while sleeping.
10. On a bag of Fritos - You could be a winner! No purchase necessary. Details inside (The shoplifters special!)
11. On a bar of Dial soap - Directions - Use like regular soap.
12. On Tesco's Tiramisu dessert (printed on bottom of box) - Do not turn upside down. (Too late, You lose!)
13. On Marks & Spencer Bread Pudding - Product will be hot after heating.
14. On a Korean kitchen knife - Warning: keep out of children.

Only In Japan

In Japan, they have replaced the impersonal and unhelpful Microsoft error messages with Haiku poetry messages. Haiku poetry has strict construction rules: each poem has only 17 syllables - 5 syllables in the first line, 7 in the second, 5 in the third. They are used to communicate a timeless message, often achieving a wistful, yearning and powerful insight through extreme brevity. Here are some actual error messages from Japan. Aren't these better than;

"Your computer has performed an illegal operation"

The web site you seek. Cannot be located, but countless more exist.

Chaos reigns within. Reflect, repent, and reboot. Order shall return.

Program aborting. Close all that you have worked on. You ask far too much.

Windows NT crashed. I am the Blue Screen of Death. No one hears your screams.

Yesterday it worked. Today it is not working. Windows is like that.

Your file was so big. It might be very useful. But now it is gone.

A crash reduces your expensive computer to a simple stone.

Three things are certain. Death, taxes and lost data. Guess which has occurred.

Having been erased, the document you're seeking must now be retyped.

Serious error. All shortcuts have disappeared. Screen. Mind. Both are blank.

The Darwin Awards

The Darwin Awards salute the improvement of the human genome by honoring those who accidentally kill themselves in really stupid ways. Named in honor of Charles Darwin, the father of evolution, the Darwin Awards commemorate those who improve our gene pool by removing themselves from it. If you like these, log on to <http://www.darwinawards.com>

Living on Zionist Time

5 September 1999, Jerusalem

In most parts of the world, the switch away from Daylight Saving Time proceeds smoothly. But the time change raised havoc with Palestinian terrorists this year.

Israel insisted on a premature switch from Daylight Savings Time to Standard Time to accommodate a week of pre-sunrise prayers. Palestinians refused to live on "Zionist Time."

Two weeks of scheduling havoc ensued.

Nobody knew the "correct" time.

At precisely 5:30pm on Sunday, two coordinated car bombs exploded in different cities, killing three terrorists who were transporting the bombs. It was initially believed that the devices had been detonated prematurely by klutzy amateurs.

A closer look revealed the truth behind the explosions. The bombs had been prepared in a Palestine-controlled area, and set to detonate on Daylight Saving Time. But the confused drivers had already switched to Standard Time.

When they picked up the bombs, they neglected to ask whose watch was used to set the timing mechanism. As a result, the cars were still en-route when the explosives detonated, delivering the terrorists to their untimely demises.

Wrong Time, Wrong Place

3 February 1990, Washington

The following mind-boggling attempt at a crime spree appeared to be the robber's first, due to his lack of a previous record of violence, and his terminally stupid choices:

1. His target was H&J Leather & Firearms. A gun shop.
2. The shop was full of customers - firearms customers.
3. To enter the shop, the robber had to step around a marked police patrol car parked at the front door.
4. A uniformed officer was standing at the counter, having coffee before work.

Upon seeing the officer, the would-be robber announced a holdup, and fired a few wild shots.

The officer and a clerk promptly returned fire, covered by several customers who also drew their guns, thereby removing the confused criminal from the gene pool.

No one else was hurt.

Death of Dracula

A college student dressed up as Dracula for Halloween.

As a finishing touch, he put a pine board down the front of his shirt, so he could "realistically" stick a knife into the board and pretend he was transfixed with a killing stake.

He didn't consider the strength of the thin pine board when he tapped the knife in with a hammer.

Propelled by the force of the hammer, the sharp knife tip split the soft pine and buried itself in his heart.

He staggered from his dorm room into the party, gasping, "I really did it!" before succumbing before horrified friends.

WANSARC VK3AWS

PRESIDENT: Grant Stowell VK3HFS

Telephone: 0419 007 718

SECRETARY: Mark Stephenson VK3PI

Telephone: 0425 768 320

Email: wansarc@wia.org.au

All correspondence to be addressed to the

SECRETARY:

PO Box 336

RESERVOIR 3073

WANSARC CLUB PROFILE

History

The Western and Northern Suburbs Amateur Radio Club (WANSARC) was first formed in 1969 and since then has served the needs and interests of amateur radio operators, short wave listeners and those interested in hobby radio and electronics. The club is not gender specific, having both female and male members. Members come from all walks of life with a mix of experience, young and mature, novice and technical. The most important aspect of the club is the willingness of all members to share their knowledge for the benefit of others. Members mainly reside in the west and north of Melbourne; however membership is encouraged from all interested.

Meetings

Building K, Northern Metropolitan Institute of Technology (NMIT), St. Georges Road, Preston (western side between Bell Street and Cramer Street) Melway 18 E12

Meetings held on the 1st Friday of each month (excluding January) commencing at 7.30pm local time. Talk in on 146.450MHz FM—call club station VK3AWS.

Benefits

Free technology and related presentations, sponsored construction activities, discounted (and sometimes free) equipment, network of like minded radio and electronics enthusiasts, excellent club facilities and environment.

Club Nets

146.450MHz FM each Tuesday evening commencing 7.30pm local time.

Linked to Echolink for intrastate, interstate and international stations participation.

More Information

Website: www.wansarc.org.au **Committee:** Bob VK3EL, Tony VK3JED,
Gordon VK3YOD, Grant VK3HFS,
Mark VK3PI, Dan VK3DWH

Email: wansarc@wia.org.au **Magazine Editor / Contributions:** vk3ch@alphalink.com.au

Secretary: Mark Stephenson VK3PI vk3pi@optusnet.com.au

Postal: WANSARC PO Box 336 RESERVOIR 3073

A proud tradition of supporting hobby radio and electronics enthusiasts since 1969

All editors comments are the comments of Mick, VK3CH and may not always represent the opinions of other club members of WANSARC. In any case anything stated is to promote interest and active discussion on club activities and the promotion of Amateur Radio in general. Contributions to WANSARC are always welcome from any part of the world. Send text as ASCII, PDF, Word, plain or HTML email, pictures in JPG format. You can either post material to the Post Office Box address at the top of this page, or email your submission to the editor direct at vk3ch@alphalink.com.au. Other persons or radio clubs may edit or copy out such as they like from the magazine but a reference to WANSARC would be appreciated.

While we strive to be accurate, no responsibility will be taken for errors, omissions, or other perceived deficiencies, in respect of information contained in technical or other articles.

Any dates given for upcoming events should always be checked with a reliable source – coming up on the weekly Tuesday evening NET on 146.450 MHz commencing at 07:30 pm AEST is highly recommended to discuss and confirm information.